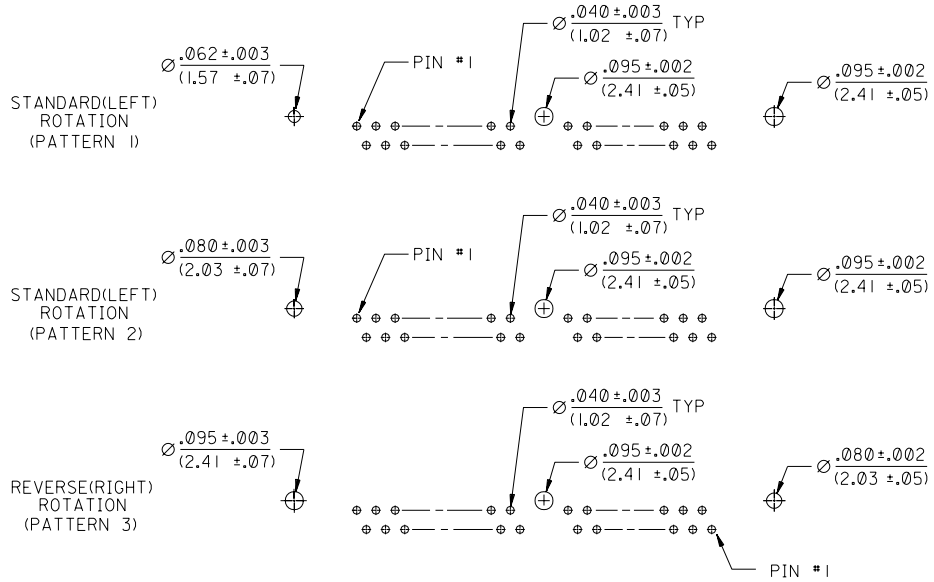


THROUGH HOLE

SHEET #	MODULE HEIGHT	LATCH	ROTATION	PCB PATTERN
2	.125	PLASTIC	STANDARD(LEFT)	PATTERN 1
3	.125	PLASTIC	REVERSE(RIGHT)	PATTERN 3
4	.160	PLASTIC	STANDARD(LEFT)	PATTERN 1
5	.160	PLASTIC	STANDARD(LEFT)	PATTERN 2
6	.160	PLASTIC	REVERSE(RIGHT)	PATTERN 3
7	.160	METAL	STANDARD(LEFT)	PATTERN 1
8	.160	METAL	STANDARD(LEFT)	PATTERN 2
9	.160	METAL	REVERSE(RIGHT)	PATTERN 3
10	.190	PLASTIC	STANDARD(LEFT)	PATTERN 1
11	.190	PLASTIC	STANDARD(LEFT)	PATTERN 2
12	.190	PLASTIC	REVERSE(RIGHT)	PATTERN 3
13	.190	METAL	STANDARD(LEFT)	PATTERN 1
14	.190	METAL	STANDARD(LEFT)	PATTERN 2
15	.190	METAL	REVERSE(RIGHT)	PATTERN 3
16	.250	PLASTIC	STANDARD(LEFT)	PATTERN 1
17	.250	PLASTIC	STANDARD(LEFT)	PATTERN 2
18	.250	PLASTIC	REVERSE(RIGHT)	PATTERN 3
19	.250	METAL	STANDARD(LEFT)	PATTERN 1
20	.250	METAL	STANDARD(LEFT)	PATTERN 2
21	.250	METAL	REVERSE(RIGHT)	PATTERN 3
22	.290	PLASTIC	STANDARD(LEFT)	PATTERN 1
23	.290	PLASTIC	STANDARD(LEFT)	PATTERN 2
24	.290	PLASTIC	REVERSE(RIGHT)	PATTERN 3
25	.290	METAL	STANDARD(LEFT)	PATTERN 1
26	.290	METAL	STANDARD(LEFT)	PATTERN 2
27	.290	METAL	REVERSE(RIGHT)	PATTERN 3

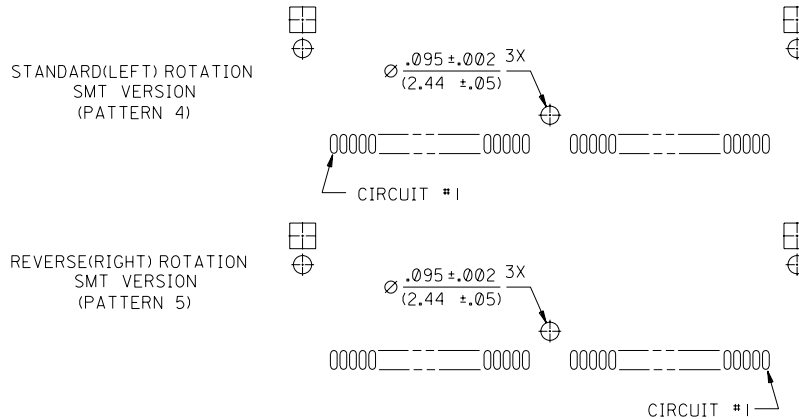
THROUGH HOLE PATTERNS



SURFACE MOUNT

SHEET #	MODULE HEIGHT	LATCH	ROTATION	PCB PATTERN
28	.160	METAL	STANDARD(LEFT)	PATTERN 4
29	.160	METAL	REVERSE(RIGHT)	PATTERN 5
30	.190	METAL	STANDARD(LEFT)	PATTERN 4
31	.190	METAL	REVERSE(RIGHT)	PATTERN 5
32	.250	METAL	STANDARD(LEFT)	PATTERN 4
33	.250	METAL	REVERSE(RIGHT)	PATTERN 5
34	.290	METAL	STANDARD(LEFT)	PATTERN 4
35	.290	METAL	REVERSE(RIGHT)	PATTERN 5

SURFACE MOUNT PATTERNS

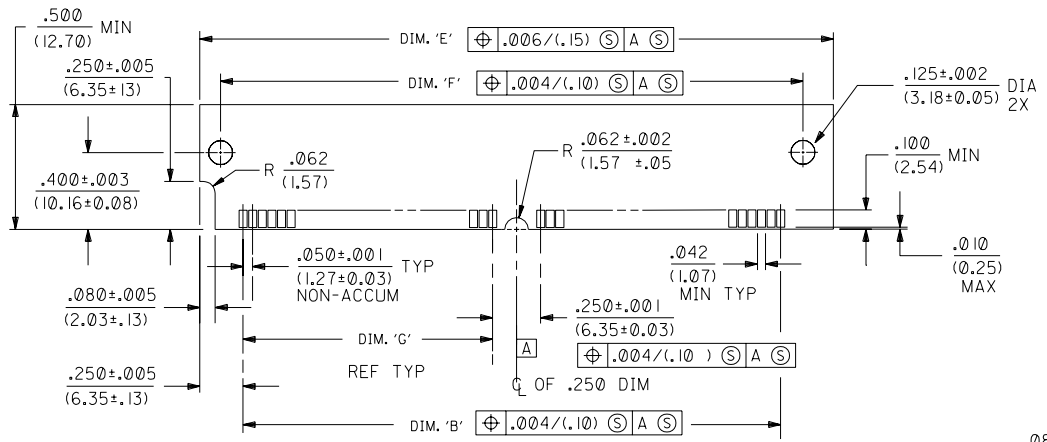


P.C. BOARD HOLE PATTERNS

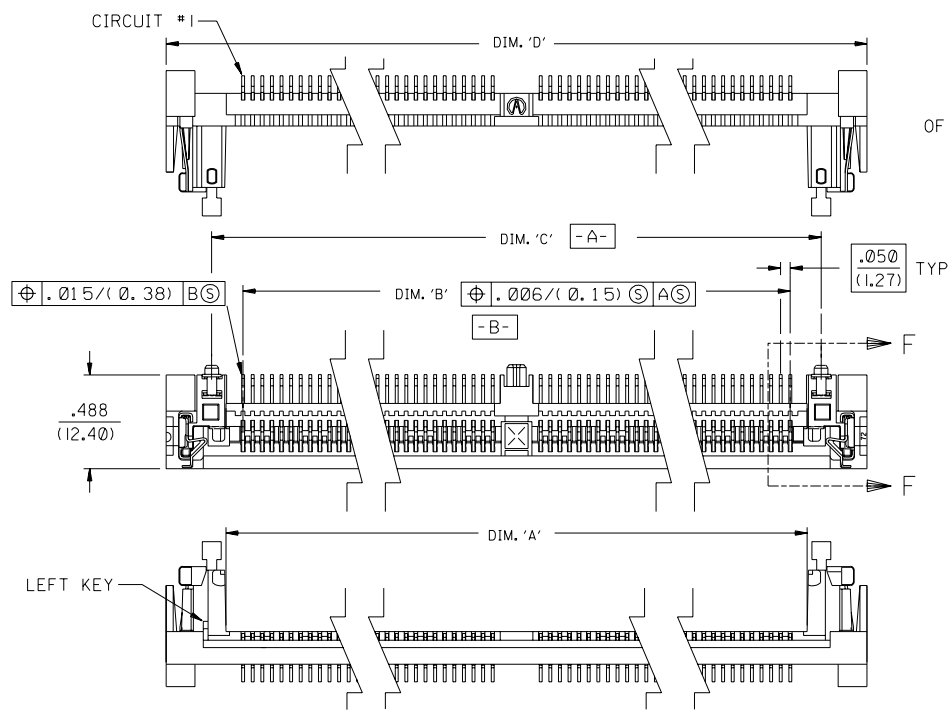
35	D
34	D
33	D
32	D
31	D
30	D
29	D
28	D
27	D
26	D
25	D
24	D
23	D
22	D
21	D
20	D
19	D
18	D
17	D
16	D
15	D
14	D
13	D
12	D
11	D
10	D
9	D
8	D
7	D
6	D
5	D
4	D
3	D
2	D
1	D

DIMENSIONS SHOWN (METRIC) INCH		▽ = 0		= 0		REVISE ONLY ON CAD SYSTEM	
UNLESS OTHERWISE SPECIFIED TOLERANCES: ANGULAR ± 1/2°							
INCH		METRIC		INCH		METRIC	
3 PLACE ± .01		---		3 PLACE ± .01		---	
2 PLACE ± .014		± 0.25		2 PLACE ± .014		± 0.25	
1 PLACE ---		± 0.36		1 PLACE ---		± 0.36	
DRAFT WHERE APPLICABLE MUST REMAIN WITHIN DIMENSIONS							
DRWG. BY: AMD	CHK'D. BY:	FILE NAME: SD7896801.DGN	SCALE: 2:1	SEE CHART		SDA-78968-*****	
SALES ASSEMBLY .05 PITCH RIGHT ANGLE SIMM SOCKET FAMILY				MOLEX INCORPORATED		SHEET NO. 1 OF 35 DATE 11/11/93	
THIS DRAWING CONTAINS INFORMATION THAT IS PROPRIETARY TO MOLEX INC. AND SHOULD NOT BE USED WITHOUT WRITTEN PERMISSION.				DA		C	

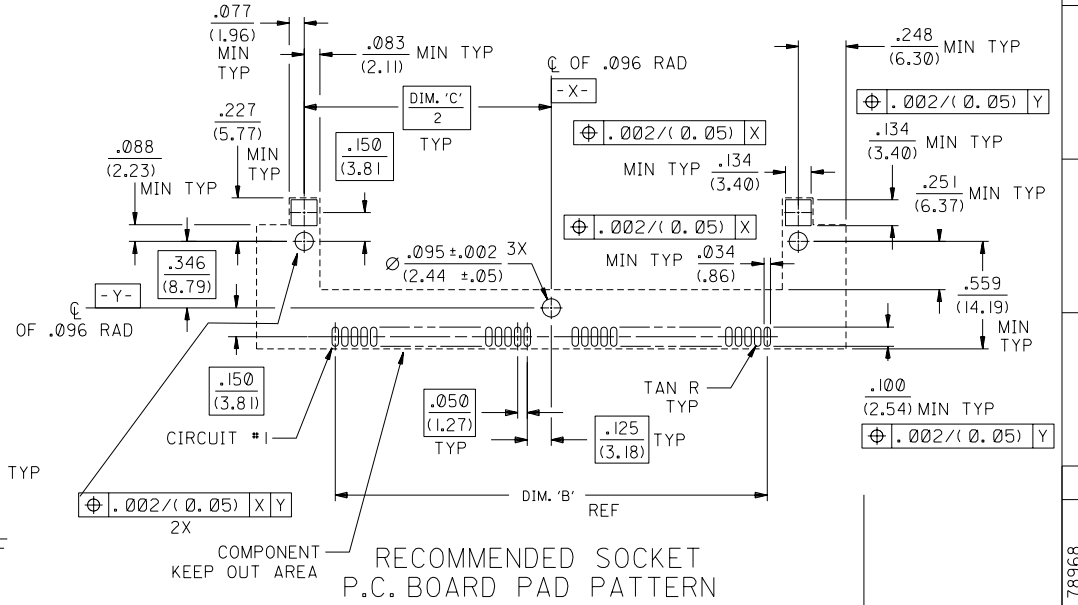
78968



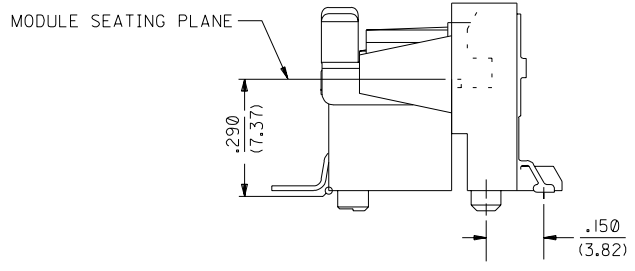
"SIMM" P.C. BOARD LAYOUT



- NOTES:
 1. CARD SLOT ACCEPTS .050 +.004/-.003 P.C. BOARDS (MEASURED OVER P.C. PADS).
 2. PRODUCT SPEC PS-78968 APPLIES
- MATERIALS:
 HOUSING- LCP , GLASS FILLED, 94V-0, COLOR: BLACK.
 TERMINAL- PHOSPHOR BRONZE
 PLATING- SEE CHART
 LATCH- STAINLESS STEEL
 SMT CLIP- PHOSPHOR BRONZE PLATED WITH TIN
- *THE PRIMARY SHIPPING CARTON WILL BE LABELED "COMPLIANT TO ROHS DIRECTIVE 2002/95/EC AND ELV ANNEX II OF DIRECTIVE 2000/53/EC". CARTONS WITHOUT THIS LABEL MAY CONTAIN PRODUCT WITH LEAD.



RECOMMENDED SOCKET P.C. BOARD PAD PATTERN



SECTION 'F'-'F' SCALE 4:1

CIRCUITS	DIM. 'A'	DIM. 'B'	DIM. 'C'	DIM. 'D'	DIM. 'E'	DIM. 'F'	DIM. 'G'	ENG. NUMBER TIN PLATING	EDP NUMBER TIN PLATING	ENG. NUMBER GOLD PLATING	EDP NUMBER GOLD PLATING
40	2.320/(58.93)	2.150/(54.61)	2.474/(62.84)	2.950/(74.93)	2.650/(67.31)	2.384/(60.55)	.950/(24.13)	-4083	15-82-1652	-4084	15-82-1659
64	3.520/(89.41)	3.350/(85.09)	3.674/(93.32)	4.150/(105.41)	3.850/(97.79)	3.584/(91.03)	1.550/(39.37)	-6483	15-82-1653	-6484	15-82-1660
68	3.720/(94.49)	3.550/(90.17)	3.874/(98.40)	4.350/(110.49)	4.050/(102.87)	3.784/(96.12)	1.650/(41.91)	-6883	15-82-1654	-6884	15-82-1661
72	3.920/(99.57)	3.750/(95.25)	4.074/(103.48)	4.550/(115.57)	4.250/(107.95)	3.984/(101.19)	1.750/(44.45)	-7283	15-82-1655	-7293	15-82-0328
80	4.320/(109.73)	4.150/(105.41)	4.474/(113.64)	4.950/(125.73)	4.650/(118.11)	4.384/(111.35)	1.950/(49.53)	-8083	15-82-1656	-8084	15-82-1663
84	4.520/(114.81)	4.350/(109.22)	4.674/(118.72)	5.150/(130.81)	4.850/(123.19)	4.584/(116.43)	2.050/(52.07)	-8483	15-82-1657	-8484	15-82-1664
100	5.320/(135.13)	5.150/(130.81)	5.474/(139.04)	5.950/(151.13)	5.650/(143.51)	5.384/(136.75)	2.450/(62.23)	-1083	15-82-1658	-1084	15-82-1665

DRWG. BY	CHK'D. BY	SCALE	FILE NAME	APP'D. BY	SCALE
AMD		2 : 1	SD78968B34		

UNLESS OTHERWISE SPECIFIED TOLERANCES: ANGULAR 1/2°

5 PLACE ± .01	INCH	METRIC
2 PLACE ± .014 ± 0.25		
1 PLACE --- ± 0.36		

DRAFT WHERE APPLICABLE MUST REMAIN WITHIN DIMENSIONS

DRWG. NO. SDA-78968-****

FILE NAME: SD78968B34

THIS DRAWING CONTAINS INFORMATION THAT IS PROPRIETARY TO MOLEX INC. AND SHOULD NOT BE USED WITHOUT WRITTEN PERMISSION.

D	SEE SHEET 1
A	SEE SHEET 1

MFG. SH.	REV.	LTR.	REVISIONS

REVISE ONLY ON CAD SYSTEM

TITLE: SALES ASSM, METAL LATCH .290 MOD. HGT., LEFT(STD.) KEY, RIGHT ANGLE SMT SIMM SOCKET

FORM: MOLEX INCORPORATED SHEET NO. 34 DATE 11/11/93

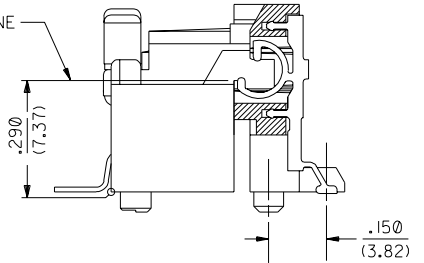
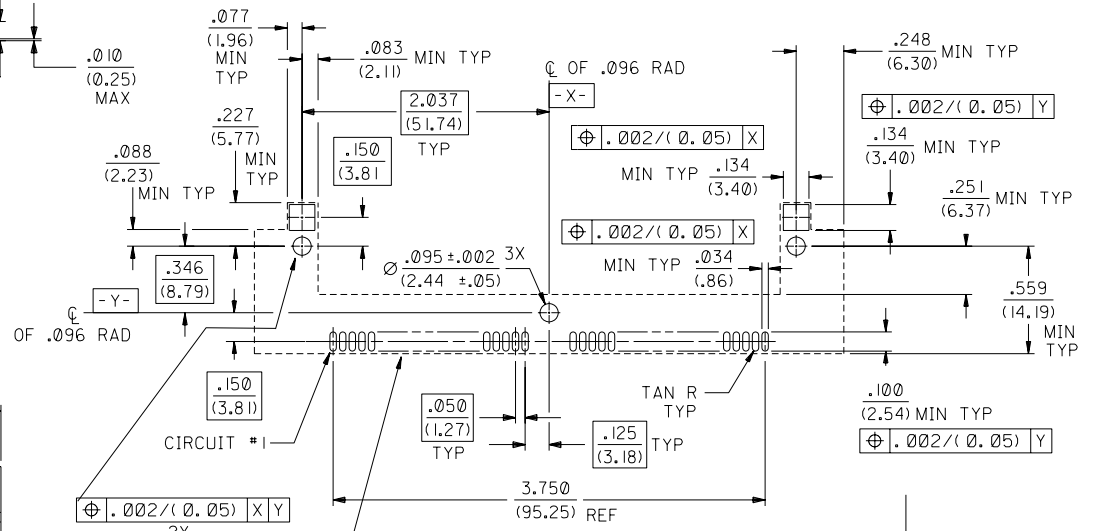
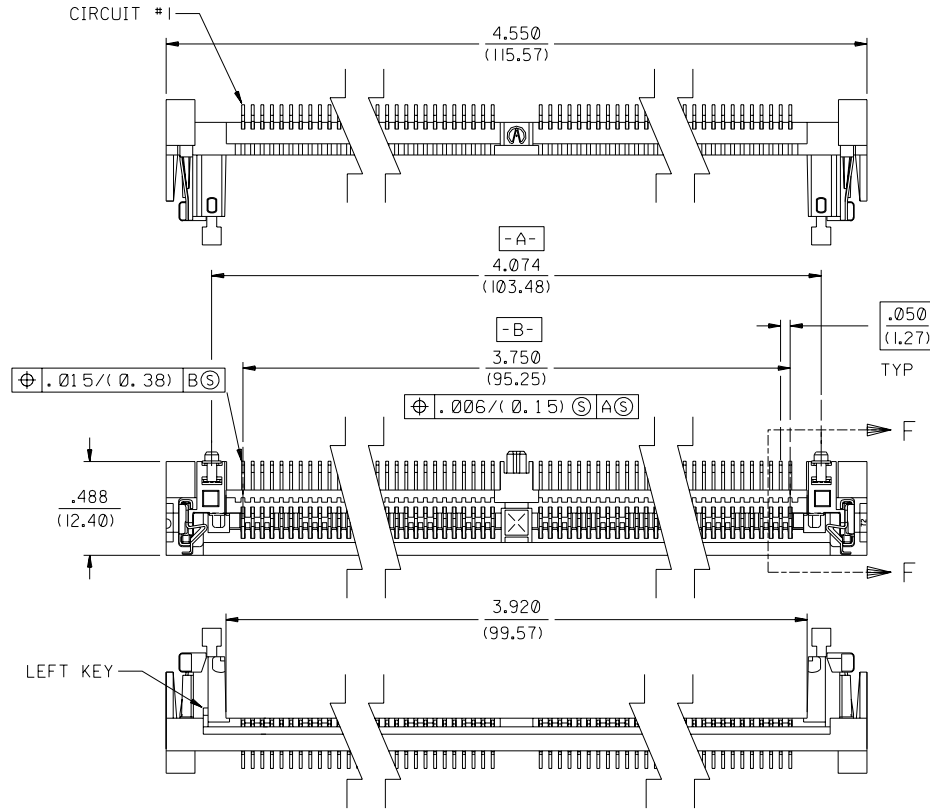
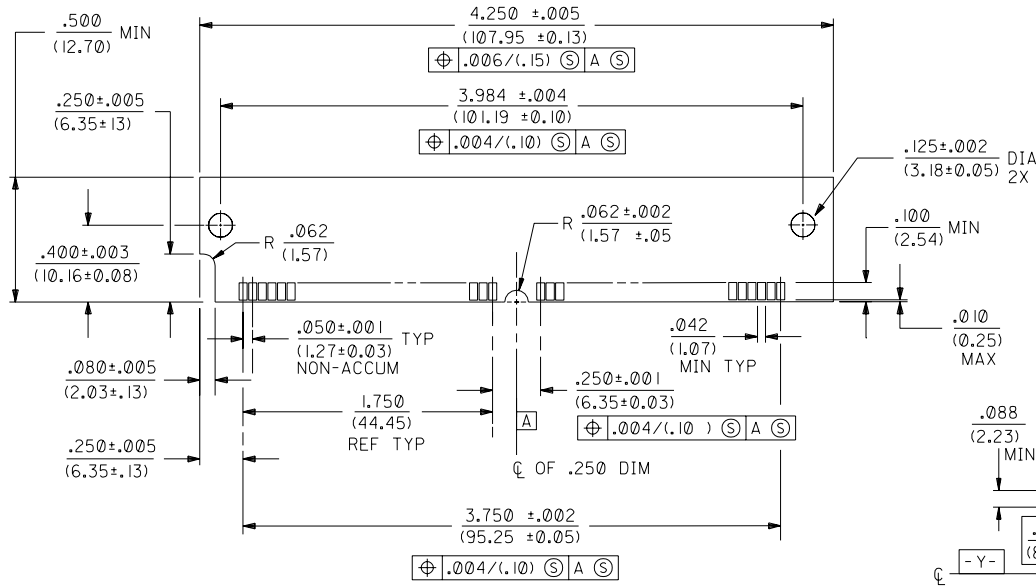
PART NO. 151EJLL 60532 U.S.A.

NOTES:
 1. CARD SLOT ACCEPTS .050 +.004/-.003 P.C. BOARDS (MEASURED OVER P.C. PADS).
 2. PRODUCT SPEC PS-78968 APPLIES

MATERIALS:
 HOUSING- LCP, GLASS FILLED, 94V-0, COLOR: BLACK.
 TERMINAL- PHOSPHOR BRONZE, POST PLATED
 30 μ IN. (760 μ M) MINIMUM GOLD IN CONTACT AREA AND 150 μ IN. (3810 μ M) MINIMUM TIN IN TAIL AREA OVER 75 μ IN. (1910 μ M) MINIMUM NICKEL OVERALL.

LATCH- STAINLESS STEEL
 SMT CLIP- PHOSPHOR BRONZE PLATED WITH .000200/(.00508) MINIMUM TIN OVER .000050/(.00127) MINIMUM NICKEL OVERALL.

*THE PRIMARY SHIPPING CARTON WILL BE LABELED *COMPLIANT TO ROHS DIRECTIVE 2002/95/EC AND ELV ANNEX II OF DIRECTIVE 2000/53/EC*. CARTONS WITHOUT THIS LABEL MAY CONTAIN PRODUCT WITH LEAD.



C	LEAD FREE LCP2004-1582 RWHITE 04/03/04
B	REVISED PER ECR# U60019 GMY 8-2-95
A	ADD EDP # PER ECR U31533 AMD 10-20-93
I	X-RELEASE PER ECR U31378 AMD 9-27-93

DIMENSIONS SHOWN (METRIC) INCH		REVISIONS	
UNLESS OTHERWISE SPECIFIED TOLERANCES: ANGULAR ± 1/2°		MFG. SH. REV. LTR.	
5 PLACE ± .010	---	REVISE ONLY ON CAD SYSTEM	
2 PLACE ± .014 ± 0.25	---	TITLE	
1 PLACE --- ± 0.36	---	SALES ASSEMBLY, METAL LATCH LEFT(STD.) KEY, 72 CIRCUIT RIGHT ANGLE, SMT SIMM	
DRAFT WHERE APPLICABLE MUST REMAIN WITHIN DIMENSIONS		MOLEX INCORPORATED SHEET NO. DATE L15LEJLL. 69532 U.S.A. 1 OF 1 9/27/93	
DRWG. BY: AMD	CHK'D. BY:	PART NO.:	DRWG. NO.:
APP'D. BY:	SCALE: 2:1	15-82-0328	SDA-78968-7293
FILE NAME: 78968/7293.DGN		DIV.:	
THIS DRAWING CONTAINS INFORMATION THAT IS PROPRIETARY TO MOLEX INC. AND SHOULD NOT BE USED WITHOUT WRITTEN PERMISSION.		DA C	